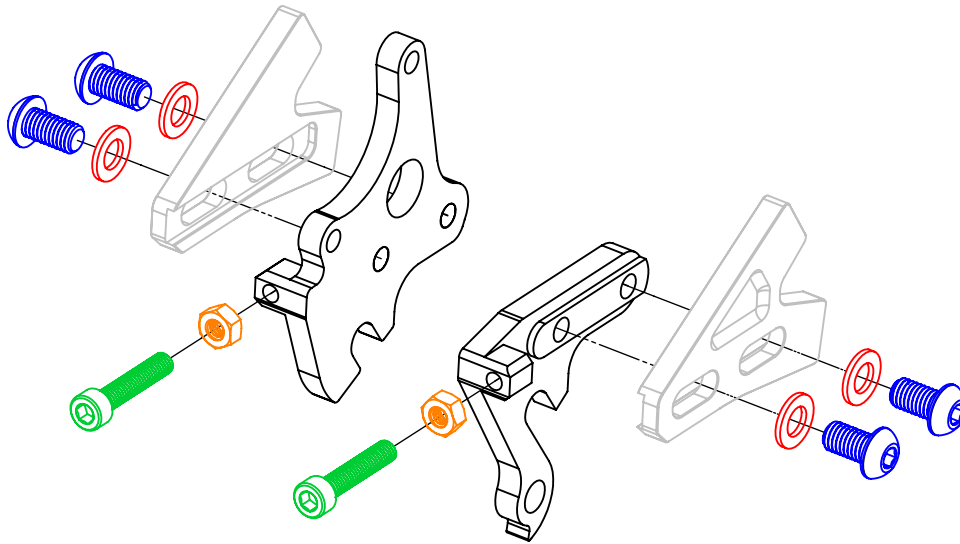


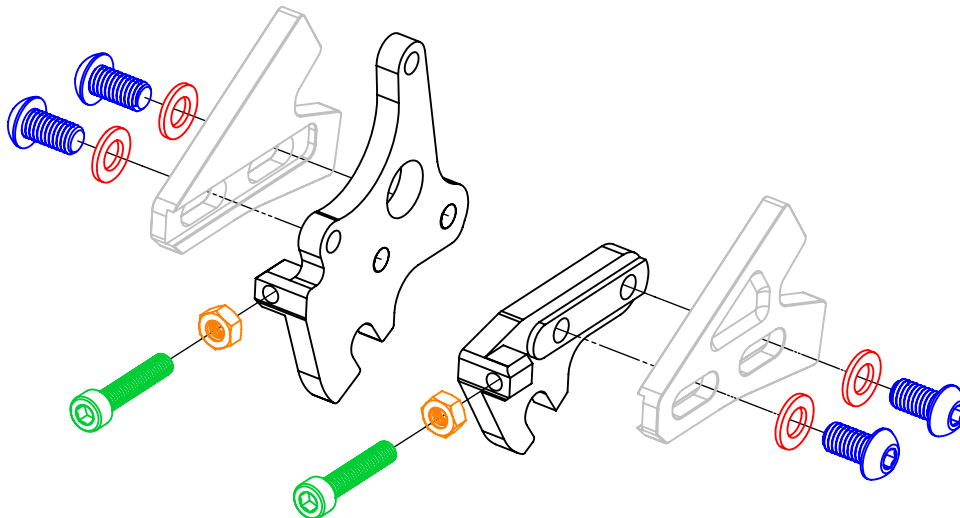
PIVOT POINT - Geared Dropout:

(FP-DRO-PNT-VRTC-V1-R1)



PIVOT POINT - Single Speed Dropout:

(FP-DRO-PNT-VRTC-V2-R1)



PIVOT POINT - Dropout Hardware:

(Not available for individual purchase)

PART DESCRIPTION	QTY.
M8 x 1.25 x 15 Buttonhead Bolt - (Torque: 13 Nm)	4
M8 x 15 x 1.5 Washer	4
M6 x 1.0 x 30 Sockethead Bolt	2
M6 Hex Nut	2